

VS Standard Machine Vise



Application / Benefits

High precision machine vise

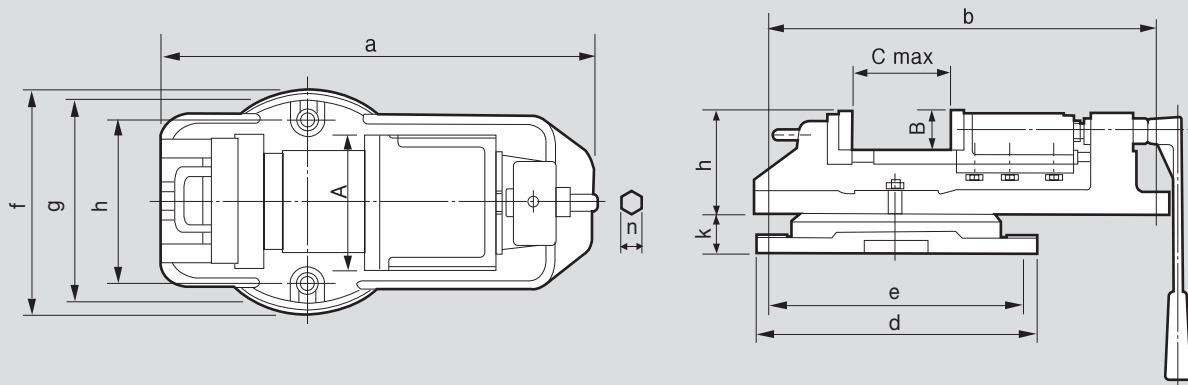
Technical features

Special hardened material used

SPECIFICATIONS

	VS-150(6")	VS-175(7")	VS-200(8")	VS-250(10")
Body [kg]	34	46.7	57.5	110
Table [kg]	10.8	14.5	20.5	36.5
Max. Opening [mm]	110	132	160	199
Operating Swivel Base	SB-150T	SB-175T	SB-200T	SB-250T
Mounting Key Size	34x16x10	34x16x10	36x20x12	36x20x12

※ Specifications are subject to change without notice.



※ See the product dimension Table on the right.

DIMENSIONS

	VS-150(6")	VS-175(7")	VS-200(8")	VS-250(10")
A	150	175	200	250
B	45	50	55	75
C	110	132	160	199
a	470	547	618	760
b	440	518	573	716
c	320	350	400	450
d	288	318	358	406
e	245	280	316	370
f	220	245	280	332
g	180	198	228	278
h	115	120	130	168
i	45	50	55	60
j	283	340	340	380
k	18	21	21	22